

# LED HORTICULTURAL LUMINAIRES LEDZW004A

## LEDZW004A

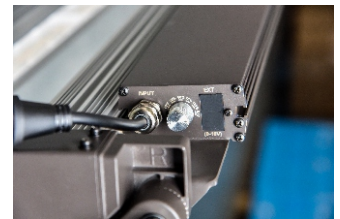
### APPLICATIONS

Use in supplement light for plant growth, suitable for **tomato, cucumber, pepper, cannabis, rose and other plant**, application in indoor supplement light, the place with short outdoor lighting time and insufficient light

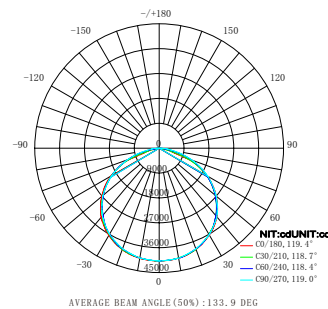
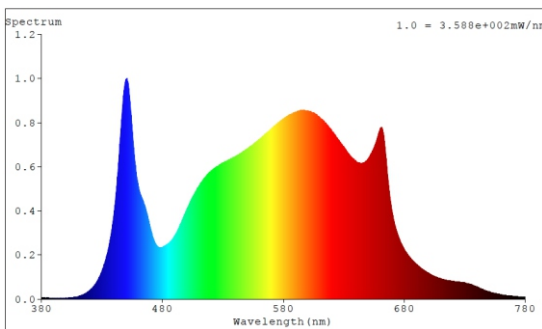


### SPECIFICATION FEATURES

1. All adopt superior stainless steel nuts.
2. Die-casting shell brings perfect heat dissipation, Simple & perfect appearance.
3. Aluminum PCB with high thermal conductivity as chip carrier for faster cooling.
4. With full spectrum Samsung chip, red/blue ratio 90/10, 87.5/12.5, 85/15, 80/20 optional, High efficiency over 2.5 μmol/s/w.
5. Energy-efficient, about double to triple of the metal lamp or the sodium lamp.
6. LED driver model Mean well, Inventr. Led grow light generates less heat, avoids the damage to plant caused by generated high temperature, could use more closer to plant, improves the utilization rate of light, and reduces ambient temperature.
7. APP Intelligent Control, ZigBee supports up to 128 device connections.
8. Tear open outfit is convenient.



### OPTICS PARAMETER



### PAR table of different installation height

#### LEDZW004A 480W

number	12in	16in	20in	24in	28in	32in	36in	39in
1	230	165	164	161	154	143	134	125
2	364	300	271	253	223	201	180	161
3	380	354	301	274	260	219	198	179
4	338	337	282	255	238	204	189	169
5	192	212	182	162	154	142	135	127
6	318	258	237	231	209	187	170	153
7	553	461	401	354	314	289	236	205
8	581	520	458	401	354	302	262	226
9	515	436	415	359	315	270	235	209
10	278	310	274	254	216	203	171	159
11	290	280	285	247	223	202	179	158
12	371	494	437	391	344	293	255	221
13	618	557	492	434	385	327	283	243
14	560	525	452	396	349	295	261	223
15	310	318	288	266	228	203	193	167
16	306	264	252	230	214	192	164	148
17	532	468	413	359	313	265	233	201
18	583	517	449	393	350	295	255	218
19	356	370	348	314	289	249	217	186
20	392	270	247	214	210	194	182	146
21	184	175	162	155	147	139	120	113
22	328	280	265	233	219	192	171	149
23	365	323	272	249	244	213	195	163
24	336	288	264	237	220	196	176	153
25	175	167	171	161	157	153	148	129
合计PAR	9823	8811	7820	7016	6356	5588	4966	4347
PAR效率	20.46433	18.56225	16.29167	14.61667	13.24167	11.64167	10.34583	9.05625

number	4x4ft								
	12in	16in	20in	24in	28in	32in	36in	39in	
12*	230	302	364	372	390	359	338	285	190
13*	186	228	264	264	264	264	264	270	270
14*	164	218	271	286	301	292	282	232	182
15*	161	207	253	264	274	265	255	209	162
16*	164	180	229	232	232	239	238	196	154
17*	143	172	203	210	219	212	204	173	142
18*	134	152	180	186	196	196	196	162	138
19*	125	143	161	170	179	174	169	148	127
20*	318	330	353	362	361	362	343	311	278
21*	211	225	244	254	254	254	254	216	176
22*	237	319	401	430	458	437	413	343	274
23*	202	238	304	310	327	314	295	247	216
24*	209	262	314	334	354	336	318	267	216
25*	197	236	290	296	306	296	287	237	206
26*	170	203	256	249	252	250	238	206	171
27*	183	179	205	216	226	218	209	184	159
28*	208	182	171	165	164	162	160	145	120
29*	200	187	174	169	167	161	157	142	116
30*	206	182	167	165	162	172	162	139	106
31*	217	193	181	173	171	171	171	151	126
32*	223	244	344	365	385	387	349	299	228
33*	202	198	205	210	217	214	206	189	168
34*	179	218	256	270	283	272	261	227	193
35*	158	190	221	232	243	233	223	185	167
36*	306	313	332	338	343	370	366	314	262
37*	164	164	169	165	164	164	164	145	116
38*	282	333	413	431	449	427	405	326	247
39*	220	220	220	220	220	220	220	210	210
40*	214	264	313	332	350	332	313	262	210
41*	192	239	285	289	295	289	289	232	194
42*	184	199	233	244	255	246	237	210	182
43*	148	175	201	210	218	210	202	174	146
44*	184	210	228	237	243	243	236	206	176
45*	220	220	220	220	220	220	220	210	210
46*	142	214	285	289	272	286	284	218	171
47*	150	184	210	211	210	210	210	180	161
48*	147	183	219	232	244	232	220	189	157
49*	169	181	192	203	213	205	196	175	153
50*	120	146	171	183	195	186	176	162	148
51*	113	131	149	156	163	168	153	141	129



UNIVERSELITE CO., LTD.

Email: info@universelite.com Website: www.universelite.com  
KUALI CUN INDUSTRIAL ZONE, PINGSHUI TOWN, SHAOXING COUNTY, ZHEJIANG PROVINCE, CHINA ZIP : 312051



# LED HORTICULTURAL LUMINAIRES

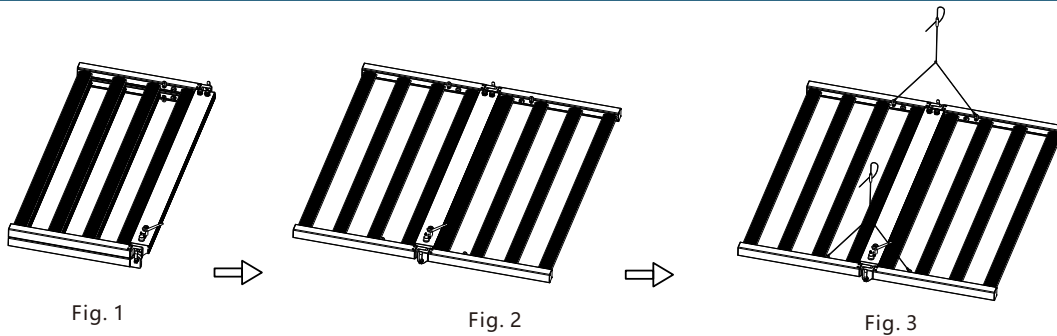
## LEDZW004A

Horticultural Luminaires 004 Parameter table

Item description	LEDZW480W004A	LEDZW630W004A	LEDZW800W004A	LEDZW960W004A
Input voltage [Vac]	100-277/347/480Vac	100-277/347/480Vac	100-277/347/480Vac	100-277/347/480Vac
Input current [A]	2.18@220V	2.86@220V	3.82@220V	4.36@220V
Input wattage [W]	480±10%	630±10%	840±10%	960±10%
Input frequency [Hz]	50/60	50/60	50/60	50/60
Power factor	≥0.96@220V	≥0.96@220V	≥0.96@220V	≥0.96@220V
Voltage [V]	36V	36V	36V	36V
Current(reference) [A]	12.2	16.1	22.2	24.5
Wattage(reference) [W]	440±10%	580±10%	730±5%	880±5%
Luminous flux [Lm]	72000	94500	120000	144000
Colour temperature [K]	2700-5700	2700-5700	2700-5700	2700-5700
Colour rendering index [Ra]	87	87	87	87
Flux of emitted photons [umol/s]	1296+	1700+	2080+	2400+
PPFD [PAR]	392(H30cm)	484(H30cm)	617(H30cm)	692(H30cm)
Beam Angle [L,V]	120°			
LED chip	SAMSUNG 2835			
Average life [h]	50000			
Colour	R20% G76.5%, B3.5% @3800K			
Net weight	15.5Kg			
Environment	WET			
Storage Environment	-40°C-85°C RH10%-95%			
Ambient temperature [°C]	-25°C-40°C			

PPF optional: 2.5µmol/s/w, 2.6µmol/s/w, 2.7µmol/s/w, 2.8µmol/s/w, 2.9µmol/s/w.

### INSTALLATION



- Step 1: Take out the whole light and hanging rope(2pcs).(Fig. 1)
- Step 2: Open and keep it on a clean surface, then fastened the clasp.(Fig.2)
- Step 3: Replace the electronic box in the middle, fasten the bolt.
- Step 4: Fasten hanging rope E to the holes at the both sides of light, and fix installation end to the load-bearing body, then adjust installation height through F.(Fig.3)